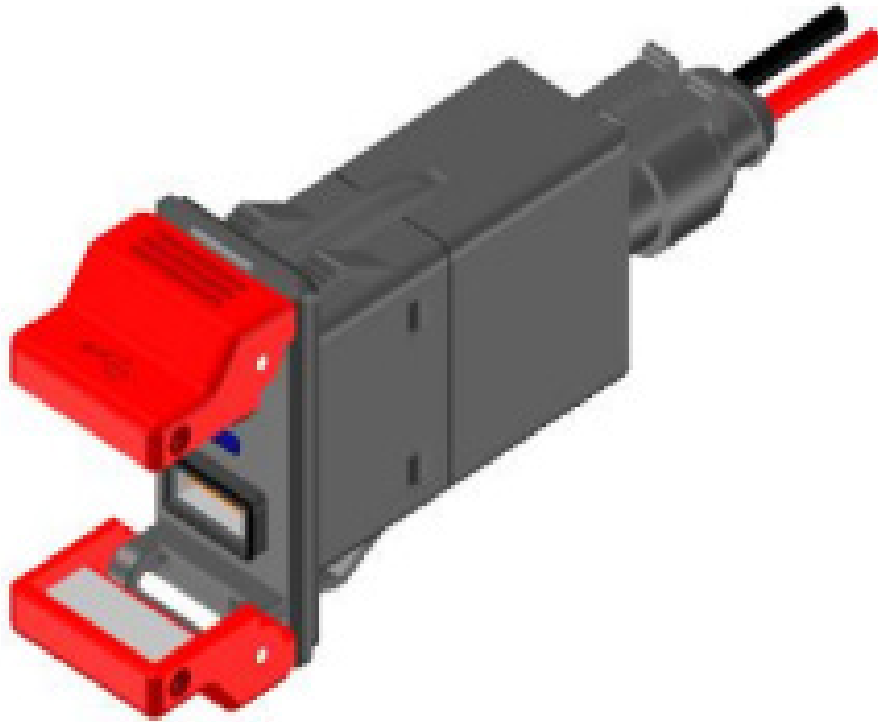




BODY ELECTRONICS: USB C Charger



USB C Charger

The MOTOMETER USB Charger offers two USB power supply ports with USB 2.0 interface and supplies 5V voltage with up to 2,4A on one USB port, for a maximum of 3,1A on both ports combined.

The LED backlighting ensures an optimal use in the dark. Due to its standard size of a rocker switch the USB Charger can be installed simple in the panel.

The USB Charger is designed for the use in 12 and 24 V stationary DC applications and is protected against water and dust with an IP rating of IP65.

Special wishes? We deliver customized solutions!

In addition to the standard temperature sensors listed, we can also offer you customized specific solutions. Simply contact us with your requirements via the adjacent button:

MOTOMETER

MOTOMETER GmbH

Fritz-Neuert-Straße 27 | 75181 Pforzheim/Germany

Phone +49 7231 42909-300 | Fax +49 7231 42909-305

E-Mail info@motometer.de | www.motometer.de



BODY ELECTRONICS: USB C Charger

Technical details:

Electrical

Number of USB Ports: 2

USB Type-a x1, Type-c x1

Nominal Voltage: 12V/24V DC

Operating Voltage: 12V/30V DC(max)

Peak Voltage: 32V DC(max)(3~4seconds)

Input: 12V

Type-a output :5V~12V, (Max: 36W)

Type-c output :5V~12V, (Max: 36W)

(Type-a+Type-c) output: (5V 2.1A+5V 2.1A)

Input: 24V

Type-a output: 5V~12V, (Max: 36W)

Type-c output: 5V~20V, (Max: 60W)

(Type-a+Type-c) output: (5V 2.1A+5V 2.1A)

Operating Frequency: 100~150Khz

Current Draw: Quiescent curren: 20mA

Life: 5000 operating cycles

Sealing: IP65

Terminals: Connector (TE 282104-1)

Operating Temperature: -20°C ~ +60°C

Panel Opening: 21.2x37.2 mm

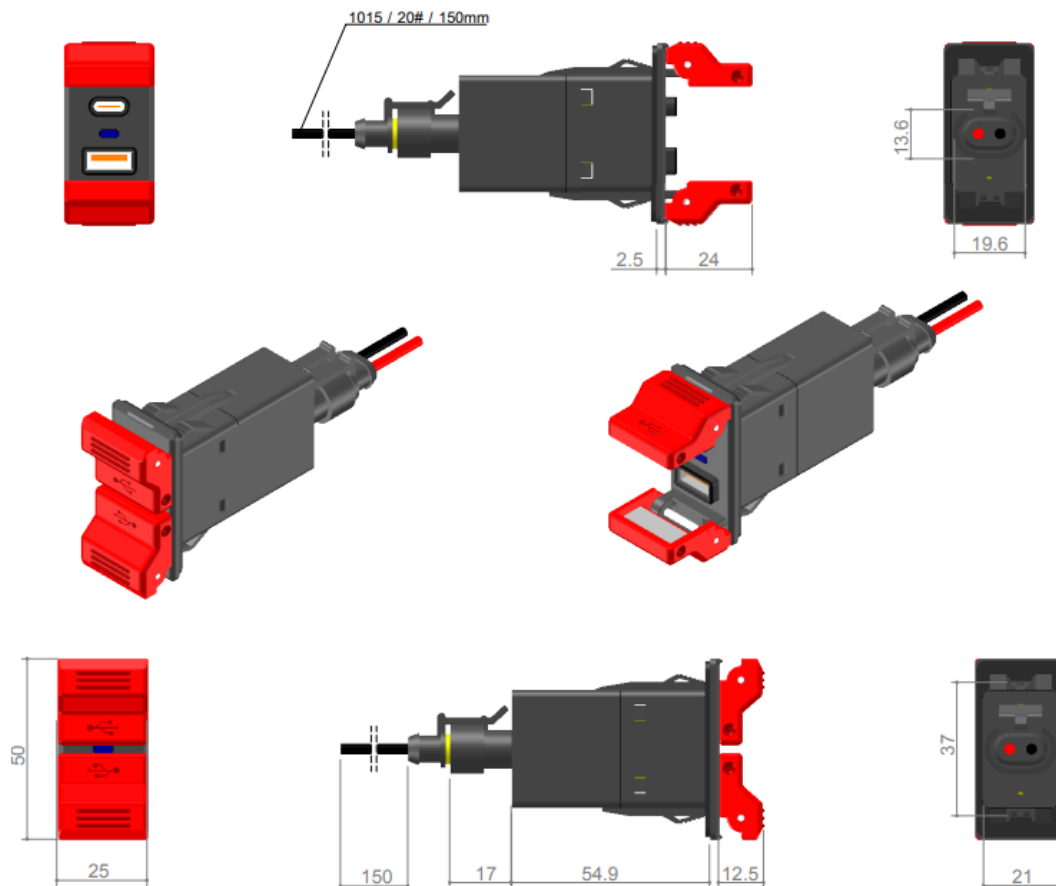
Over voltage protection: Yes

Over current protection: Yes

Over temperature protection: Yes

Short circuit protection: Yes

Reverse polarity protection: Yes



MOTOMETER

MOTOMETER GmbH

Fritz-Neuert-Straße 27 | 75181 Pforzheim/Germany

Phone +49 7231 42909-300 | Fax +49 7231 42909-305

E-Mail info@motometer.de | www.motometer.de