

Display your vision

**MOTOMETER**

# USB-C Charger

## Our MOTOMETER USB-C Charger

Discover the future of charging with MOTOMETER's USB-C Charger. Equipped with two powerful USB 2.0 ports, this innovative charger allows simultaneous charging of two devices. Its intelligent LED backlighting ensures effortless use even in darkness.

Thanks to its standardized design, the USB-C Charger seamlessly integrates into a rocker switch panel. The robust protective cap ensures reliable protection against water and dirt, while the charger effortlessly operates with a voltage range of 12 and 24 volts.

Explore the future of charging now and optimize your devices with MOTOMETER's USB-C Charger. Contact us today for tailor-made offers and professional advice!

[Contact us now](#)



## Technical specifications

### Electrical

**Number of USB Ports:** 2 USB Type-a×1, Type-c×1

**Nominal Voltage:** 12V/24V DC

**Operating Voltage:** 12V/30V DC(max)

**Peak Voltage:** 32V DC(max)(3~4seconds)

**Input:** 12V

**Type-a output:** 5V~12V, (Max: 36W)

**Type-c output:** 5V~12V, (Max: 36W)

**(Type-a+Type-c) output:** (5V 2.1A+5V 2.1A)

**Input:** 24V

**Type-a output:** 5V~12V, (Max: 36W)

**Type-c output:** 5V~20V, (Max: 60W)

**(Type-a+Type-c) output:** (5V 2.1A+5V 2.1A )

**Operating Frequency:** 100~150Khz

**Current Draw:** Quiescent curren: 20mA

**Life:** 5000 operating cycles

**Sealing:** IP65

**Terminals:** Connector (TE 282104-1)

**Operating Temperature:** -20°C ~ +60°C

**Panel Opening:** 21.2×37.2 mm

**Over voltage protection:** Yes

**Over current protection:** Yes

**Over temperature protection:** Yes

**Short circuit protection:** Yes

**Reverse polarity protection:** Yes

## Contact us now for orders and customized offers!

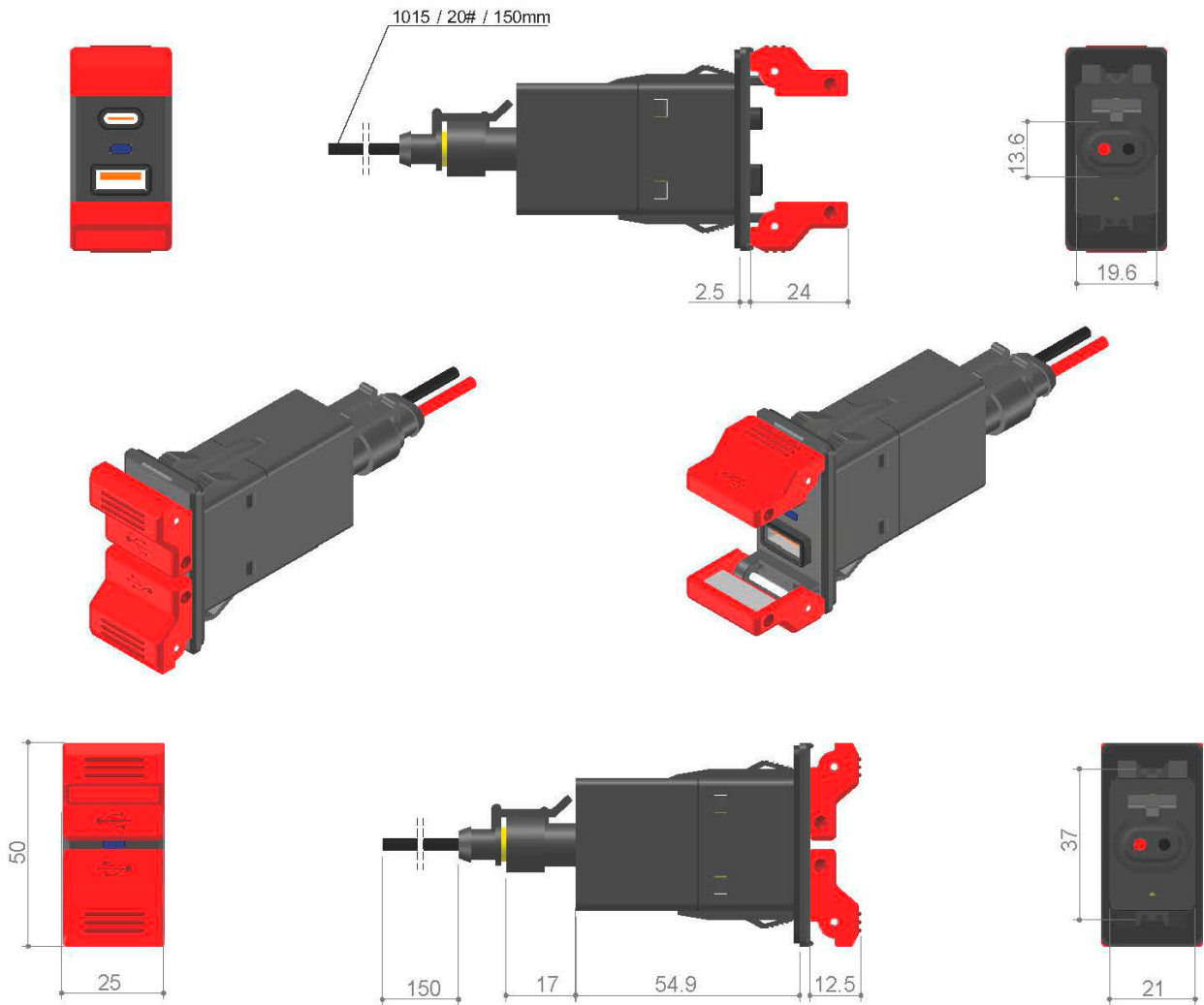
For orders, customized offers, and consultations regarding the USB-C Charger, we are at your service. Contact us through our contact form to place your order!

Display your vision

**MOTOMETER**

# USB-C Charger

## Product drawing:



### Contact us now for orders and customized offers!

For orders, customized offers, and consultations regarding the USB-C Charger, we are at your service. Contact us through our contact form to place your order!